

THIS DRAWING IS UNPUBLISHED. RELEASED FOR PUBLICATION

© COPYRIGHT BY TYCO ELECTRONICS CORPORATION. ALL RIGHTS RESERVED.

LOC FT DIST 0

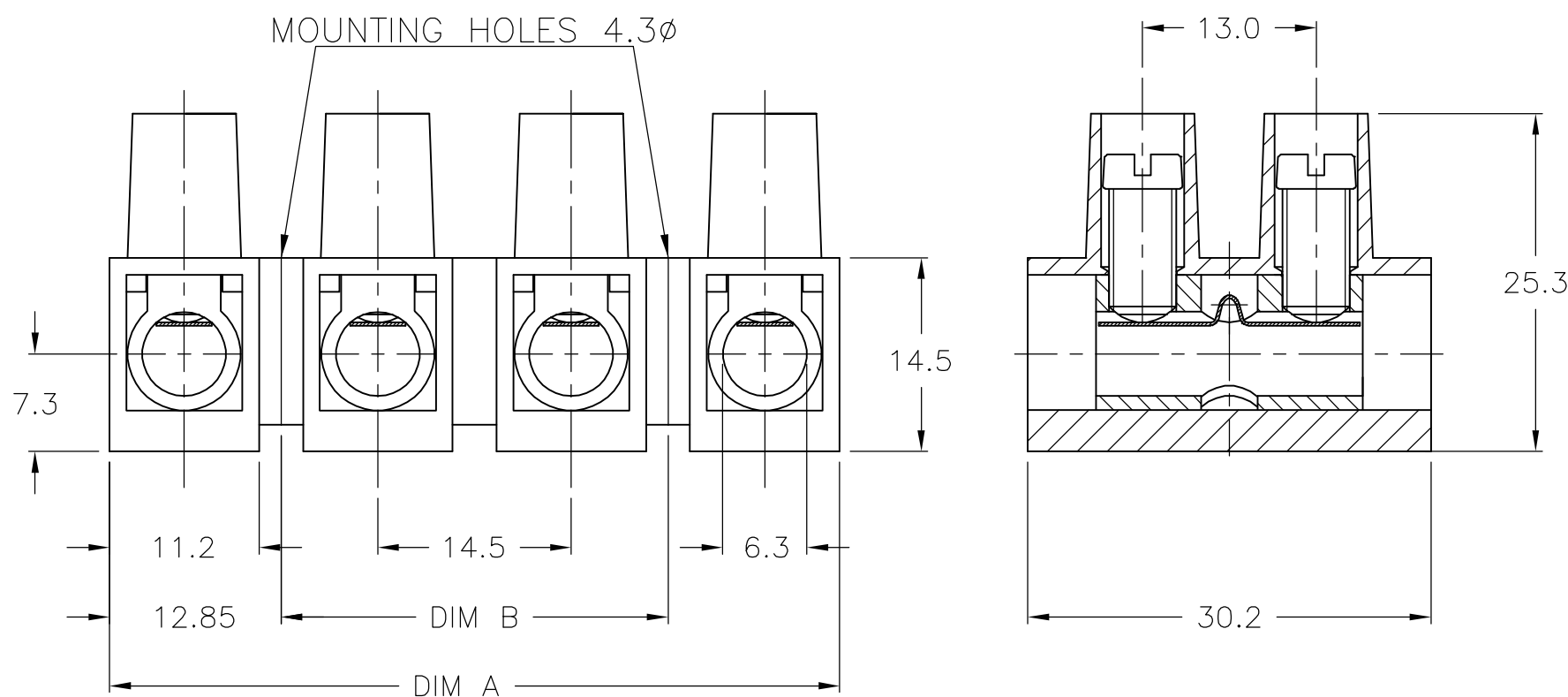
REVISIONS

P	LTR	DESCRIPTION	DATE	DWN	APVD
01		REVISED PER ECO-06-26065	11/8/06	SS	CR

MATERIAL:
 HOUSING: POLYAMIDE 6, UL94V-2,
 COLOR OFF WHITE.
 CONTACT: BRASS, TIN PLATED.
 WIRE PROTECTOR: STAINLESS STEEL.
 SCREW: M5, STEEL, ZINC PLATED W/ NON-
 HEXAVALENT CHROMATE (CHROME III).
 WIRE PROTECTOR: STAINLESS STEEL.

ELECTRICAL:
 MAX CURRENT: 65A (UR) 70A (CSA)
 OPERATING VOLTAGE: 300V.
 WIRE RANGE: 6-14 AWG (UR) 6-22 AWG (CSA)
 DIELECTRIC WITHSTAND: 6000V.

ENVIRONMENT:
 CONTINUOUS WORKING TEMP.: -35°C TO 100°C.



145	170.7	12	TSB200012DS	1-1776313-2
130.5	156.2	11	TSB200011DS	1-1776313-1
116	141.7	10	TSB200010DS	1-1776313-0
101.5	127.2	9	TSB200009DS	1776313-9
87	112.7	8	TSB200008DS	1776313-8
72.5	98.2	7	TSB200007DS	1776313-7
58	83.7	6	TSB200006DS	1776313-6
43.5	69.2	5	TSB200005DS	1776313-5
29	54.7	4	TSB200004DS	1776313-4
14.5	40.2	3	TSB200003DS	1776313-3
-	25.7	2	TSB200002DS	1776313-2
-	11.2	1	TSB200001DS	1776313-1
DIM B	DIM A	NO OF POS	CATALOG NUMBER	PART NUMBER

THIS DRAWING IS A CONTROLLED DOCUMENT.		DWN S SCHLEGEL 3/21/05	Tyco Electronics Corporation Harrisburg, Pa 17105-3608		
DIMENSIONS: mm		CHK C RICHARD 3/21/05			
TOLERANCES UNLESS OTHERWISE SPECIFIED:		APVD C RICHARD 3/21/05	NAME 14.5MM PITCH WITH WIRE PROTECTOR		
0 PLC ± - 1 PLC ± 0.3 2 PLC ± 0.25 3 PLC ± - 4 PLC ± - ANGLES ± 2°		PRODUCT SPEC -	RESTRICTED TO -		
MATERIAL -		APPLICATION SPEC -	SIZE A3	CAGE CODE 00779	DRAWING NO C-1776313
FINISH -		WEIGHT -	SCALE NTS		SHEET 1 OF 1
CUSTOMER DRAWING			REV 01		